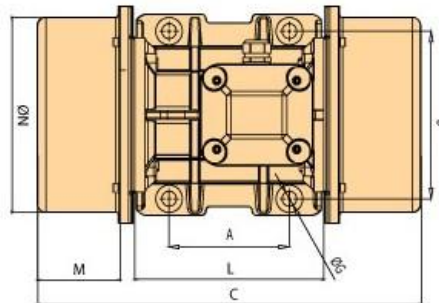
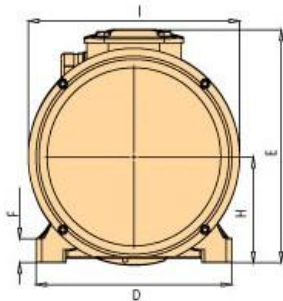


# 800/1

## Three phase-6poles-1000RPM-50HZ 230/400 Voltage

Mechanical Features			Electric Features		
<b>General</b>			<b>General</b>		
Working moment	<b>137.37</b>	kg.cm	Nominal voltage	<b>Δ:230V</b>	<b>Y:400V</b>
Unbalance	<b>68.68</b>	kg.cm	Input power	<b>0.75KW</b>	
Force	<b>795</b>	kg	Current A max	<b>Y:1.26A</b>	
<b>Bearing</b>			Power factor	<b>0.76</b>	
TYPE	<b>NJ2308</b>		La/in	3.4	
	100%	<b>&gt;100000</b>	<b>Certification</b>		
Life(h)	80%	<b>&gt;100000</b>	ETL CLASS II DIV.II	<b>T4</b>	
	50%	<b>&gt;100000</b>	GROUP F G TENV NEMA 4		
<b>Bearing Grease</b>			IP65		
Lube Schedule	15g		Amb Temp. (-20°~+40°)		
Lube replacement	30g				
Grease Type	SKF LGHP 2				



A	140
B	190
C	448
M	98
G	17
Holes	4
D	230
E	262
F	30
H	120
I	247
L	220
N	222

Clamping torque(Nm) **185**

n.weight	Screw	washer	Cable type	Cable Glante
62.5	M16	17X30	4GX4	M25X1.5